



P.I.T.[®]

Progressive Innovational Technology

EN

PRODUCT PASSPORT
USER'S MANUAL

RU

ПАСПОРТ ИЗДЕЛИЯ ИНСТРУКЦИЯ
ПОЛЬЗОВАТЕЛЯ

CORDLESS DRILL

ДРЕЛЬ АККУМУЛЯТОРНАЯ



PSR12-C8

PROGRESSIVE INNOVATIONAL TECHNOLOGY

ПРОГРЕССИВНЫЕ ИННОВАЦИОННЫЕ ТЕХНОЛОГИИ



GENERAL SAFETY PRECAUTIONS

1. For safety reasons, children under 18 years of age, also persons who are not familiar with these rules, should not use this tool. Use the tool only for the direct purpose specified in the operation manual.
2. The tool is not intended for use by persons (including children) with reduced physical, sensory or mental abilities or lack of experience or knowledge, unless they are under the control or instructed about the use of the tool by the person responsible for their safety.
3. Children should be kept under control to prevent playing with the tool.
4. Keep your workplace clean and tidy. Disorder in the workplace may cause to injury.
5. Do not use the tool in damp locations, in a water vapor environment, near storage areas for flammable liquids and gases.
6. Make sure that there are no people nearby (especially children) and animals. They can become victims of flying particles of material being processed by the tool.
7. Work only in conditions of good visibility, or provide the workplace with sufficient illumination.
8. Each time before using the tool, make an external inspection for damage (especially for the electric cable of the charger and the plug of the plug-and-socket connection) and the reliability of the attachment of the cutting nozzles (drills). A defective tool should not be used! If damage is found, repair the tool only in the technical service center. Attention! Do not use the tool if its control devices, protective and interlocking devices are damaged, worn or removed!
9. The surface of the drill handle must be clean, dry and not greasy.
10. Attention! The mains voltage below 220 V may cause a malfunction of the tool! Pay attention to the mains voltage. The power supply must comply with the required tool parameters.
11. Regularly inspect the electric cable for damage and wear. The tool can only be used when the electric cable is in good condition. The electric cable can only be replaced at the technical service center.
12. The mains plug socket must fully comply with the power plug of the power tool.
13. The tool has double insulation. This means that all external metal parts are electrically isolated from current-carrying parts. This is done by placing additional insulation between the electrical and mechanical parts. This insulation system serves as an additional protection against injuries resulting from possible damage to electrical insulation inside the tool.
14. During work, do not wear loose clothes, apparel, etc., cover long hair, as all this can be captured by moving parts of the tool.
Wear strong non-skid shoes, strong slacks, safety gloves, safety goggles (normal glasses are not protective) or a protective mask, a respirator (if dust forms during work), protective headphones (at increased noise level), a protective helmet (in case of appropriate danger) .
15. Protect parts of your body, especially fingers, from possible contact with moving parts of the tool. Wait until the parts of the tool are completely inert after turning it off; do not try to stop them by hand!
16. Do not overload the tool, it works reliably and safely only if the parameters specified in its product specifications are observed. Work with interruptions to prevent overheating. For every 20 minutes of work, let's 5 minutes of rest.
17. Ensure that the ventilation holes (slots) in the electromotor case are always open and clean.
18. Do not leave the tool unattended at the workplace. Do not expose the tool to rain in the open air. If the workplace gets very dusty, ensure that it is sufficiently ventilated.
19. Keep the tool in a clean, dry and inaccessible place for children.

EXPLANATION OF P.I.T. TRADEMARK

P.I.T. Progressive Innovational Technology

Currently, 10 kinds of mechanical and electrical equipment are produced under the P.I.T. trademark. In terms of sales, cordless drills occupy one of the leading positions.

Each letter and number in the designation of the model of P.I.T cordless drill has the meaning.

For example, **PSR12-C8**

P – Trademark of P.I.T.

SR – cordless drill

12 – battery voltage

C8 – modification series

INTENDED USE

Cordless drill – designed for screwing and unscrewing of screws, bolt screws, self-tapping screws. As working nozzles in drills are used so-called bits, one end of which has the shape of a drill, and the other is made in the form of a hex shank.

PRINCIPLE OF OPERATION

Cordless drill is driven by an electromotor, which uses electricity from the battery. It is from the electromotor that a rotational force arises for the twisting element, which in turn is fixed in a special chuck. The two-speed gearbox allows you to set the rotation speed for screwing and drilling. The tightening force is adjusted by using of a clutch.

DECRYPTING THE DATE OF PRODUCTION OF THE PRODUCT

Date of manufacture of the product is encrypted in the serial number printed on the tool body. The first 2 digits indicate the year of manufacture, the next 2 digits - month and the following two digits – day.

No. 17 07 30 0395

Year month day

PRODUCT SPECIFICATIONS

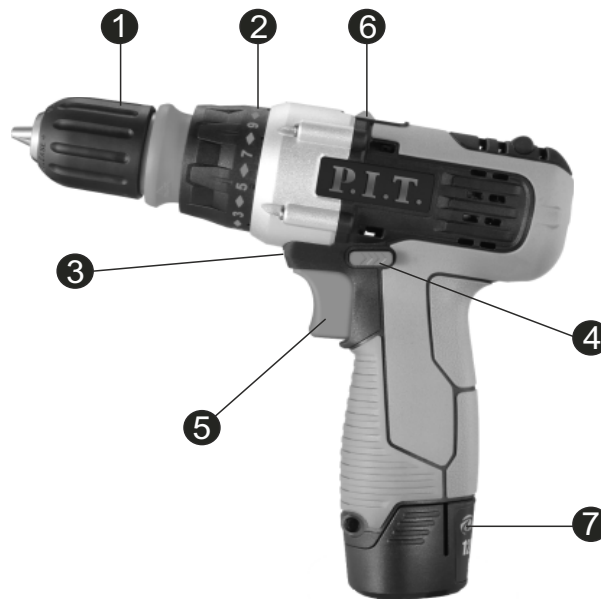
PSR12-C8

Rated voltage	12 V
Rotational moment	25 Nm
Rotation speed	0-450/0-1450 rpm
Speed ratio	2
Storage battery capacity	1.5 ampere-hour
Battery type	Li-Ion
Chuck size	0.8-10 mm
Weight	2.3 kg
Number of batteries	2
Max drilling capacity in wood	25 mm
Max drilling capacity in metal	10 mm

FEATURES

- Quick change system of tool holder and nozzle
- Inner hexagonal spindle for use of the accessories without cartridge
- Li-Ion batteries
- 5 mm LED display
- 2-speed reducing gearbox
- 2 fixation: wristband and belt plate
- battery indicator on the case
- plastic case

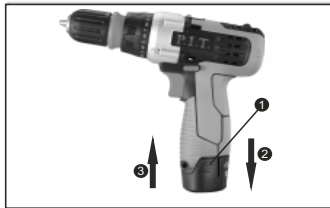
CORDLESS DRILL PHYSICAL FORM



1. Chuck with one clutch, quick fix
2. Rotational moment control
3. LED
4. Reverse switch
5. On/off control
6. Speed switch
7. Battery pack

RULES OF OPERATION

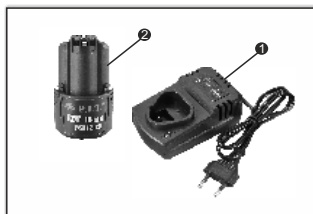
BATTERY INSTALLATION AND REMOVAL



1. To remove the battery, hold the tool by the handle, press the battery lock button(1), and pull it as indicated by arrow 2 to remove the battery.

Install the battery in the reverse order, carefully following the correct direction as indicated by the arrow 3.

BATTERY CHARGE



Connect the charging device (1) to the socket, the led glows green, plug install in the charging socket of the battery (2),


after removing the battery from a drill. The led begins to glow red, indicating that the battery has started charging. At the end of charging the battery led begins to glow green. It will take approximately 1 hour to fully charge the battery at 20°C. Low temperature and low mains voltage extend battery charging time charging time.

ROTATIONAL MOMENT SETTING



Check that the rotational moment switch is set correctly. When using the tool as a drill, set one of the digits «1,2,3 ... 18" data-bbox="277 699 460 795"/>

on the switch or the black mark on the triangular icon on the tool outer case. When using the tool as

a drill, point the  icon on the switch to the triangular icon on the tool outer case.

CHANGING THE ROTATION SPEED



The rotation speed can be changed using the switch (1). Move the switch (1) in the direction of the arrows (2 and 3).

If the switch is set to "I", the drill bit rotates slowly. If the switch is set to "II", the drill bit rotates quickly.

ROTATION DIRECTION SETTING

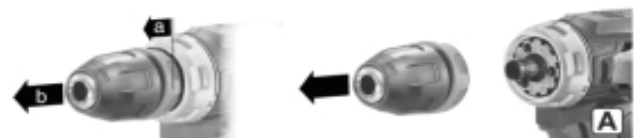


Change of rotation direction is achieved by changing the position switch (2) located above on/off control (1) (R – right rotation or L – left rotation). To increase

the speed, press the start on/off control (1) more strongly. To reduce the speed, the pressure on the on/off control should be slightly released.

DRILL CHUCK WITH QUICK RELEASE SYSTEM

Removal: Slide the adapter sleeve (a) forward and remove the drill chuck (b). Installation: Slide the adapter sleeve and push the drill chuck onto the drill spindle until it stops.



MAINTENANCE

Cordless drill under normal operation is subject to the inevitable wear and tear, it is necessary to carry out timely care.

Below are the recommendations for servicing the cordless drill:

1. Maintenance includes cleaning the drill, but primarily the ventilation slots and chuck, from dust and dirt.
2. After operation in rooms with high dust content or small sawdust, it is necessary to blow the chuck, ventilation slots and the motor by the compressed air.
3. In case of contact with oil, the drill case must be wiped with white spirit.
4. Check the condition of the contact pads of the battery charger.
5. Remove dust, dirt or oxidation with a cloth soaked in spirit.
6. After every 120 operation hours of the product, it is required to carry out its preventive inspection and replacement of lubricant in the technical service center.
7. Store the product in a room with normal humidity at a temperature not lower than +5⁰C.
8. The battery must be charged at least once every 3 months.
9. When the product, accessories and packaging become unusable, take steps to dispose of them in an environmentally friendly manner. Not to burn.

Tool maintenance must be performed only by experienced personnel of authorized technical service centers.

TERMS OF WARRANTY SERVICE

1. This Warranty Certificate is the only document that confirms your right to free warranty service. Without presenting this certificate, no claims are accepted. In case of loss or damage, the warranty certificate is not restored.

2. The warranty period for the electric machine is 12 months from the date of sale, during the warranty period the service department eliminates manufacturing defects and replaces parts that have failed due to the fault of the manufacturer free of charge. In the warranty repair, an equivalent operable product is not provided. Replaceable parts become property of service providers.

P.I.T is not liable for any damage that may be caused by operation of the electric machine.

3. Only clean tool accompanied with the following duly executed documents: this Warranty Certificate, Warranty Card, with all fields filled out, bearing the stamp of the trade organization and the signature of the buyer, shall be accepted for warranty repair.

4. Warranty repair is not performed in the following cases:

- in the absence of a Warranty Certificate and a Warranty Card or their incorrect execution;
- with failure of both a rotor and a stator of the electric engine, charring or melting of primary winding of the welding machine transformer, charging or starting-charging device, with internal parts melting, burn down of electronic circuit boards;
- if a Warranty Certificate or a Warranty Card does not correspond to this electric machine or to the form established by the supplier;
- upon expiration of the warranty period;
- at attempts of opening or repair of the electric machine outside the warranty workshop; making constructive changes and lubrication of the tool during the warranty period, as evidenced, for example, by the creases on the spline parts of the fasteners of non-rotational parts.
- when using electric tools for production or other purposes connected with making a profit, as well as in case of malfunctions related to instability of the power network parameters exceeding the norms established by GOST;
- in the events of improper operation (use the electric machine for other than intended purposes, attachments to the electric machine of attachments, accessories, etc. not provided by the manufacturer);
- with mechanical damage to the case, power cord and in case of damages caused by aggressive agents and high and low temperatures, ingress of foreign objects in the ventilation grids of the electric machine, as well as in case of damage resulting from improper storage (corrosion of metal parts);
- natural wear and tear on the parts of the electric machine, as a result of long-term operation (determined on the basis of the signs of full or partial depletion of the specified mean life, great contamination, presence of rust outside and inside the electric machine, waste lubricant in the gearbox);
- use of the tool the purposes for other than specified in the operating instructions.
- mechanical damages to the tool;
- in the event of damages due to non-observance of the operating conditions specified in the instruction (see chapter "Safety Precautions" of the Manual).
- damage to the product due to non-observance of the rules of storage and transportation.

Preventive maintenance of electric machines (cleaning, washing, lubrication, replacement of anthers, piston and sealing rings) during the warranty period is a paid service.

The service life of the product is determined by the manufacturer and is 2 years from the date of manufacture,

The owner is notified of any possible violations of the above terms of warranty service upon completion of diagnostics in the service center.

The owner of the tool entrusts the diagnostic procedure to be conducted in the service center in his absence.

Do not operate the electric machine when there are signs of excessive heat, sparking, or noise in the gearbox. To determine the cause of the malfunction, the buyer should contact the warranty service center.

Malfunctions caused by late replacement of carbon brushes of the engine are eliminated at the expense of the buyer.

5. The warranty does not cover:

- replacement of parts (accessories and furniture), for example: accumulators, disks, knives, drills, bores, cartridges, chains, sprockets, collet clamps, buses, tensioning elements and fasteners, trim tabs, pads of grinders and tape machines, etc.
- quick-wear parts, for example: carbon brushes, drive belts, glands, protective covers, guide rollers, guides/rails, rubber seals, bearings, timing belts and wheels, shafts, brake band, ratchet wheels and starter cables, piston rings, etc. Replacing them during the warranty period is a paid service.
- power cords, in case of insulation damage, power cords are subject to mandatory replacement without the consent of the owner (paid service),
- casing of machine.

P.I.T. WARRANTY CERTIFICATE

Product Name _____

Product Number Serial Number

Place of Seal

Sale Date _____

Trade Organization Name _____

Dear customer!

Thank you for purchasing the P.I.T tool, and we hope that you will be satisfied with your choice. In the process of manufacturing the P.I.T tools pass multilevel quality control, if nevertheless your product will need maintenance, please contact the authorized P.I.T service centers.

Attention!

When buying, ask a seller to check the completeness and operability of the tool, to fill out the Warranty Certificate, the Warranty Card (the boxes shall be filled out by a seller) and to affix the seal of the trade organization in the Guarantee Certificate and the Warranty Card.

Warranty

By this Warranty Certificate, P.I.T. company guarantees the absence of defects of the production nature.

In the event any of the above defects are detected during the warranty period, the specialized P.I.T. service centers shall repair the product and replace the defective spare parts free of charge.

The warranty period for P.I.T. electric machines is 12 months from the date of sale.

“The warranty maintenance terms acknowledged and accepted. The operability and completeness of the product are checked in my presence. No claims on quality and appearance.”

Buyer's Signature _____ Surname (legibly) _____

Phone _____



ОБЩИЕ МЕРЫ БЕЗОПАСНОСТИ

1. В целях безопасности дети моложе 18 лет, также люди, не ознакомившиеся с данными правилами, не должны пользоваться инструментом. Используйте инструмент только по его прямому назначению, указанному в руководстве пользователя.
2. Инструмент не предназначен для использования лицами (включая детей) с пониженными физическими, чувственными или умственными способностями или при отсутствии у них опыта или знаний, если они не находятся под контролем или не проинструктированы об использовании прибора лицом, ответственным за их безопасность.
3. Дети должны находиться под контролем для недопущения игры с инструментом.
4. Содержите рабочее место в чистоте и порядке. Беспорядок на рабочем месте может стать причиной получения травмы.
5. Не используйте инструмент в сырых местах, в среде водяных испарений, вблизи мест хранения горючих жидкостей и газов.
6. Следите, чтобы поблизости не было людей (особенно детей) и животных. Они могут стать жертвами разлетающихся частиц материала, обрабатываемого инструментом.
7. Работайте только в условиях хорошей видимости, или обеспечьте рабочее место достаточной освещенностью.
8. Каждый раз перед использованием инструмента производите его наружный осмотр на предмет отсутствия повреждений (особенно у сетевого шнура зарядного устройства и вилки штепсельного соединения) и надежность крепления режущих насадок (сверла). Неисправный инструмент использоваться не должен! При обнаружении повреждений, ремонтируйте инструмент только в сервисном центре. Внимание! Запрещается пользоваться инструментом, если его устройства управления, защитные и блокировочные устройства повреждены, изношены или удалены!
9. Поверхность рукоятки инструмента должна быть чистой, сухой и не жирной.
10. Внимание! Напряжение электрической сети ниже 220 В может стать причиной выхода из строя инструмента! Следите за напряжением электрической сети. Электросеть должна соответствовать требуемым параметрам инструмента.
11. Регулярно обследуйте сетевой шнур на наличие повреждений и износа. Инструмент может использоваться только при безупречном состоянии сетевого шнура. Сетевой шнур может быть заменен только в сервисном центре.
12. Штепсельная розетка электросети должна полностью соответствовать вилке сетевого шнура инструмента.
13. Инструмент имеет двойную изоляцию. Это означает, что все внешние металлические части электрически изолированы от токоведущих частей. Это выполнено за счет размещения дополнительной изоляции между электрическими и механическими частями. Эта изоляционная система служит дополнительной защитой от травм, возникающих в результате возможного повреждения электрической изоляции внутри инструмента.
14. Во время работы не носите свободную одежду, украшения и т.д., укройте длинные волосы, поскольку все это может быть захвачено движущимися частями инструмента.
Надевайте крепкую нескользящую обувь, прочные брюки, защитные перчатки, защитные очки (обычные очки не являются защитными) или защитную маску, респиратор (если при работе образуется пыль), защитные наушники (при повышенном уровне шума), защитный шлем (в случае соответствующей опасности).
15. Оберегайте части вашего тела, в первую очередь пальцы, от возможных контактов с движущимися частями инструмента. Дождитесь полной остановки движущихся по инерции частей инструмента после его выключения, не пытайтесь остановить их руками!
16. Не перегружайте инструмент, он работает надежно и безопасно только при соблюдении параметров, указанных в его технических характеристиках. Работайте с перерывами, чтобы не допустить перегрева. На каждые 20 минут работы, давайте 5 отдыха.
17. Следите, чтобы вентиляционные отверстия (прорези) в корпусе электродвигателя всегда были открытыми и чистыми.
18. Не оставляйте инструмент без присмотра на рабочем месте. При работе на открытом воздухе не оставляйте инструмент под дождем. При сильном запылении рабочего места обеспечьте его достаточной вентиляцией.
19. Храните инструмент в чистом, сухом и недоступном для детей месте.

РАСШИФРОВКА ТОРГОВОЙ МАРКИ P.I.T.

P.I.T.[®] Progressive Innovational Technology

(Прогрессивные Инновационные Технологии)

В настоящее время под маркой P.I.T. выпускается широкий спектр электро- и бензоинструмента. По объему продаж аккумуляторные дрели занимают одну из лидирующих позиций.

Каждая буква и цифра в обозначении модели аккумуляторной дрели P.I.T. имеет значение.

Например, **PSR12-C8**:

P – торговая марка P.I.T.

SR – аккумуляторная дрель

12 – напряжение аккумулятора

C8 – серия модификации

НАЗНАЧЕНИЕ

Аккумуляторная дрель – предназначена для сверления отверстий в различных материалах, а также вкручивания и выкручивания шурупов, винтов и саморезов, используя соответствующую оснастку.

РАСШИФРОВКА ДАТЫ ИЗГОТОВЛЕНИЯ ИЗДЕЛИЯ

Дата изготовления изделия зашифрована в серийном номере, напечатанном на корпусе инструмента. Первые 2 цифры обозначают год выпуска, следующие 2 цифры – месяц и следующие 2 цифры – день

№.

1	7	0	7	3	0	0	3	9	5
---	---	---	---	---	---	---	---	---	---

 год месяц день

ТЕХНИЧЕСКИЕ ХАРАКТЕРИСТИКИ

Номинальное напряжение	12 В
Крутящий момент	25Нм
Число оборотов	0-450/0-1450 об/мин
Число скоростей	2
Емкость аккумуляторов	1,5 Ач
Тип аккумулятора	Литий-ионный
Размер патрона	0.8-10 мм
Вес	2,3 кг
Количество аккумуляторов	2
Макс диаметр сверления в древесине	25 мм
Макс диаметр сверления в стали	10 мм

КОМПЛЕКТ ПОСТАВКИ

- Аккумуляторная дрель
- Бита
- 2 аккумуляторные батареи
- Инструкция по эксплуатации
- Зарядное устройство
- Пластиковый кейс

Внимание! Производитель вправе изменять комплектацию изделия без предварительного уведомления!



ФУНКЦИОНАЛЬНЫЕ ВОЗМОЖНОСТИ И ОСОБЕННОСТИ АККУМУЛЯТОРНОЙ ДРЕЛИ

- Система быстрой смены держателя и инструментальной насадки
- Внутренний шестигранник шпинделя для использования принадлежностей без патрона
- Li-ION батарея
- 5 мм LED-подсветка
- 2-х скоростной редуктор
- 2 крепления: наручное и поясное
- Индикатор заряда батареи
- Пластиковый кейс

УСТРОЙСТВО АККУМУЛЯТОРНОЙ ДРЕЛИ



1. Патрон одномуфтовый, быстросъемный
2. Регулятор крутящего момента
3. Светодиод
4. Переключатель реверса

5. Выключатель
6. Переключатель скоростей
7. Аккумуляторная батарея

ПРАВИЛА ЭКСПЛУАТАЦИИ

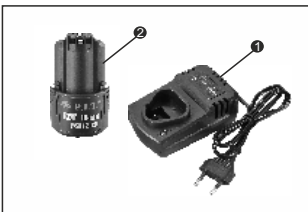
Установка и снятие батареи



1. Для снятия батареи, удерживая инструмент за рукоятку, нажмите на кнопку фиксатора аккумулятора(1), и потяните его, как указывает стрелка 2, чтобы снять батарею.

Установка производится в обратной последовательности, внимательно следя за правильным направлением, как указывает стрелка 3.

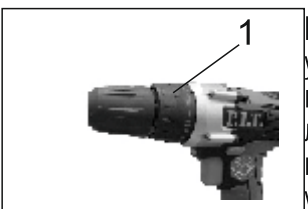
Зарядка батареи



Подключите зарядное устройство(1) в розетку, светодиод начинает светиться зеленым цветом, штекер установите в гнездо зарядки батареи(2), предварительно сняв батарею.

Светодиод начинает светиться красным цветом, сигнализируя о том, что начался заряд батареи. По окончании зарядки батареи светодиод начинает светиться зеленым цветом. Полная зарядка батареи займет примерно 1 час при температуре 20°C. Чем ниже температура и чем меньше напряжение в сети, тем дольше время зарядки батареи.

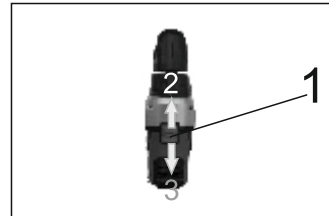
Установка крутящего момента



Проверьте правильность установки переключателя крутящего момента шпинделя(1). При использовании инструмента как шуруповерт, установите одну из цифр «1, 2, 3...18» на переключателе или

черную отметку на треугольный значок на внешнем корпусе инструмента. При использовании инструмента в качестве дрели направьте значок на треугольный значок на внешнем корпусе инструмента.

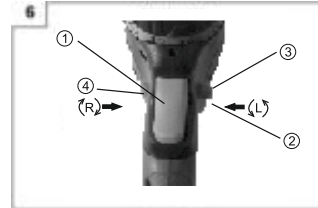
Изменение скорости вращения



Скорость вращения может быть изменена с помощью переключателя(1). Двигайте переключатель(1) в направлении стрелок(2 и 3).

Если переключатель установлен на «I», сверло вращается медленно. Если переключатель установлен на «II», сверло вращается быстро.

Установка направления вращения



Изменение направления вращения достигается изменением положения переключателя(2), расположенного над выключателем электропитания(1)(R – правое вращение или L –

левое вращение).

Чтобы увеличить обороты, нажимайте кнопку пуска(1) сильнее. Чтобы уменьшить обороты, давление на кнопку пуска следует немного ослабить.

Сверлильный патрон с быстросменной системой

Снятие: Сдвиньте фиксирующую втулку (a) вперед и снимите вперед сверлильный патрон (b).

Установка: сдвиньте фиксирующую втулку и надвиньте сверлильный патрон на сверлильный шпиндель до упора.





ТЕХНИЧЕСКОЕ ОБСЛУЖИВАНИЕ

Аккумуляторная дрель при нормальной работе подвержена неизбежному износу, необходимо осуществлять за ней своевременный уход.

Ниже приведены рекомендации по обслуживанию аккумуляторной дрели:

1. Обслуживание включает в себя очистку дрели, но в первую очередь вентиляционных прорезей и патрона, от пыли и грязи.
2. После работы в помещениях с повышенным содержанием пыли или мелких опилок необходимо продуть патрон, вентиляционные прорези и двигатель сжатым воздухом.
3. При попадании масла, корпус дрели необходимо протереть уайт-спиритом.
4. Следите за состоянием контактных площадок аккумуляторной батареи и зарядного устройства.
5. Удаляйте пыль, грязь или следы окисления тряпкой, смоченной в спирте.
6. Через каждые 120 часов эксплуатации изделия, требуется провести его профилактический осмотр и замену смазки в сервисном центре.
7. Хранить изделие следует в помещении с нормальной влажностью при температуре не ниже +5°C.
8. Аккумуляторную батарею необходимо заряжать не реже, чем раз в 3 месяца.
9. Когда изделие, дополнительные принадлежности и упаковка придут в негодность, примите меры по экологически чистой их утилизации. Не сжигать.

Обслуживание инструмента должно быть выполнено только квалифицированным персоналом уполномоченных сервисных центров.



УСЛОВИЯ ГАРАНТИЙНОГО ОБСЛУЖИВАНИЯ

1. Настоящее гарантийное свидетельство является единственным документом, подтверждающим Ваше право на бесплатное гарантийное обслуживание. Без предъявления данного свидетельства претензии не принимаются. В случае утери или порчи гарантийное свидетельство не восстанавливается.
2. Гарантийный срок на электроинструмент составляет 12 месяцев со дня продажи, в течение гарантийного срока сервисная служба бесплатно устраняет производственные дефекты и производит замену деталей, вышедших из строя по вине изготовителя. На период гарантийного ремонта эквивалентный исправный инструмент не предоставляется. Заменяемые детали переходят в собственность служб сервиса. Компания P.I.T. не несет ответственности за вред, который может быть причинен при работе с электроинструментом.
3. В гарантийный ремонт инструмент принимается в чистом виде, при обязательном наличии надлежащим образом оформленных документов: настоящего гарантийного свидетельства, гарантийного талона, с полностью заполненными полями, штампом торговой организации и подписью покупателя.
4. Гарантийный ремонт не производится в следующих случаях:
 - при отсутствии гарантийного свидетельства и гарантийного талона или неправильном их оформлении;
 - при совместном выходе из строя якоря и статора электродвигателя, при обугливание или оплавлении первичной обмотки трансформатора сварочного аппарата, зарядного или пуско-зарядного устройства, при оплавлении внутренних деталей, прожиге электронных плат;
 - если гарантийное свидетельство или талон не принадлежат данному электроинструменту или не соответствует установленному поставщиком образцу;
 - по истечении срока гарантии;
 - при попытках самостоятельного вскрытия или ремонта электроинструмента вне гарантийной мастерской; внесения конструктивных изменений и смазки инструмента в гарантийный период, о чем свидетельствуют, например, заломы на шлицевых частях крепежа корпусных деталей.
 - при использовании электроинструмента в производственных или иных целях, связанных с получением прибыли, а также – при возникновении неисправностей связанных с нестабильностью параметров электросети, превышающих нормы, установленные ГОСТ;
 - при неправильной эксплуатации (использование электроинструмента не по назначению, установки на электроинструмент не предназначенных заводом-изготовителем насадок, дополнительных приспособлений и т.п.);
 - при механических повреждениях корпуса, сетевого шнура и при повреждениях, вызванных воздействиями агрессивных средств и высоких и низких температур, попадании инородных предметов в вентиляционные решетки электроинструмента, а также при повреждениях, наступивших в результате неправильного хранения(коррозия металлических частей);
 - при естественном износе деталей электроинструмента, в результате длительной эксплуатации(определяется по признакам полной или частичной выработки ресурса, сильного загрязнения, ржавчины снаружи и внутри электроинструмента, отработанной смазки в редукторе);
 - использование инструмента не по назначению, указанному в инструкции по эксплуатации.
 - при механических повреждениях инструмента;
 - при возникновении повреждений в связи с несоблюдением предусмотренных инструкцией условий эксплуатации(см. главу Указание по технике безопасности в инструкции).
 - повреждение изделия вследствие несоблюдения правил хранения и транспортировки.Профилактическое обслуживание электроинструмента (чистка, промывка, смазка, замена пыльников, поршневых и уплотнительных колец) в гарантийный период является платной услугой.
Срок службы изделия установлен производителем и составляет 2 года со дня изготовления.
О возможных нарушениях, изложенных выше условий гарантийного обслуживания, владельцу сообщается после проведения диагностики в сервисном центре.
Владелец инструмента доверяет проведение диагностики в сервисном центре в свое отсутствие.
Запрещается эксплуатация электроинструмента при проявлении признаков повышенного нагрева, искрения, а также шума в редукторной части. Для выяснения причин неисправности покупателю следует обратиться в гарантийную мастерскую.
Неисправности, вызванные несвоевременной заменой угольных щеток двигателя, устраняются за счет покупателя.
5. Гарантия не распространяется на:
 - сменные принадлежности (аксессуары и оснастка), например: аккумуляторы, диски, ножи, сверла, буры, патроны, цепи, звездочки, цанговые зажимы, шины, элементы натяжения и крепления, головки триммеров, подошвы шлифовальных и ленточных машин, фильтры и т.п.
 - быстроизнашивающиеся детали, например: угольные щетки, приводные ремни, сальники, защитные кожухи, направляющие ролики, направляющие, резиновые уплотнения, подшипники, зубчатые ремни и колеса, стволы, ленты тормоза, храповики и тросы стартеров, поршневые кольца и т.п. Замена их в течении гарантийного срока является платной услугой.
 - шнуры питания, в случае повреждения изоляции, шнуры питания подлежат обязательной замене без согласия владельца (услуга платная).
 - корпуса инструмента.

ГАРАНТИЙНОЕ СВИДЕТЕЛЬСТВО НА ИНСТРУМЕНТ P.I.T.

Наименование изделия _____

Артикул изделия

Серийный номер

Дата продажи «__» _____

Наименование торговой организации _____

М.П.

Уважаемый покупатель!

Благодарим Вас за покупку инструмента P.I.T. и надеемся, что Вы останетесь довольны своим выбором. В процессе производства инструменты P.I.T. проходят многоуровневый контроль качества, если тем не менее Ваше изделие будет нуждаться в обслуживании, просим Вас обращаться в авторизованные сервисные центры P.I.T.

Внимание!

При покупке требуйте у продавца проверки комплектности и работоспособности инструмента, заполнение гарантийного свидетельства, гарантийного талона (графы заполняются продавцом) и простановки печати торговой организации в гарантийном свидетельстве и гарантийном талоне.

Гарантия

На основании данного гарантийного свидетельства компания P.I.T. гарантирует отсутствие дефектов производственного характера.

Если в течении гарантийного срока в Вашем изделии тем не менее обнаружатся указанные дефекты, специализированные сервисные центры P.I.T. бесплатно отремонтируют изделие и заменят дефектные запасные части.

Гарантийный срок на электроинструменты P.I.T. составляет 12 месяцев со дня продажи.

«С условиями гарантийного обслуживания ознакомлен(а). Работоспособность и комплектность изделия проверены в моем присутствии. Претензий к качеству и внешнему виду не имею».

Подпись покупателя _____ Фамилия(разборчиво) _____

Телефон _____

P.I.T. WARRANTY CARD



P.I.T. WARRANTY CARD

Name _____
Serial number _____
The date of sale 20____
The date of receipt of the repair 20____



Name _____
Serial number _____
Date of sale "" _____
(Filled by seller)

Seal is here

WARRANTY REPAIR CARD

date of acceptance for repair ____ 20 ____ .
Application for repair _____
Customer _____
Telephone (address) _____
The reason for petition _____
Tool checked in my presence _____
(The order is filled in the service center) (signature)

Seal is here

Name _____
Serial number _____
The date of sale 20____
The date of receipt of the repair 20____



Name _____
Serial number _____
Date of sale "" _____
(Filled by seller)

Seal is here

WARRANTY REPAIR CARD

date of acceptance for repair ____ 20 ____ .
Application for repair _____
Customer _____
Telephone (address) _____
The reason for petition _____
Tool checked in my presence _____
(The order is filled in the service center) (signature)

Seal is here

Name _____
Serial number _____
The date of sale 20____
The date of receipt of the repair 20____



Name _____
Serial number _____
Date of sale "" _____
(Filled by seller)

Seal is here

WARRANTY REPAIR CARD

date of acceptance for repair ____ 20 ____ .
Application for repair _____
Customer _____
Telephone (address) _____
The reason for petition _____
Tool checked in my presence _____
(The order is filled in the service center) (signature)

Seal is here

ГАРАНТИЙНЫЙ ТАЛОН P.I.T.

Наименование _____
Серийный номер _____
Дата продажи «__» _____ 20 __ г.
(Заполняется продавцом)

М.П.

КАРТА ГАРАНТИЙНОГО РЕМОНТА __
Дата приема в ремонт __ _____ 20 __ г.
Заявка на ремонт _____
Заказчик _____
Телефон(адрес) _____
Причина обращения _____
Дата получения из ремонта __ _____ 20 __ г.
Инструмент проверен в моем присутствии _____
(Заказ заполняется в сервисном центре) (подпись)

М.П.

Наименование _____
Серийный номер _____
Дата продажи «__» _____ 20 __ г.
Дата получения из ремонта «__» _____ 20 __ г.



Наименование _____
Серийный номер _____
Дата продажи «__» _____ 20 __ г.
(Заполняется продавцом)

М.П.

КАРТА ГАРАНТИЙНОГО РЕМОНТА __
Дата приема в ремонт __ _____ 20 __ г.
Заявка на ремонт _____
Заказчик _____
Телефон(адрес) _____
Причина обращения _____
Дата получения из ремонта __ _____ 20 __ г.
Инструмент проверен в моем присутствии _____
(Заказ заполняется в сервисном центре) (подпись)

М.П.

Наименование _____
Серийный номер _____
Дата продажи «__» _____ 20 __ г.
Дата получения из ремонта «__» _____ 20 __ г.



Наименование _____
Серийный номер _____
Дата продажи «__» _____ 20 __ г.
(Заполняется продавцом)

М.П.

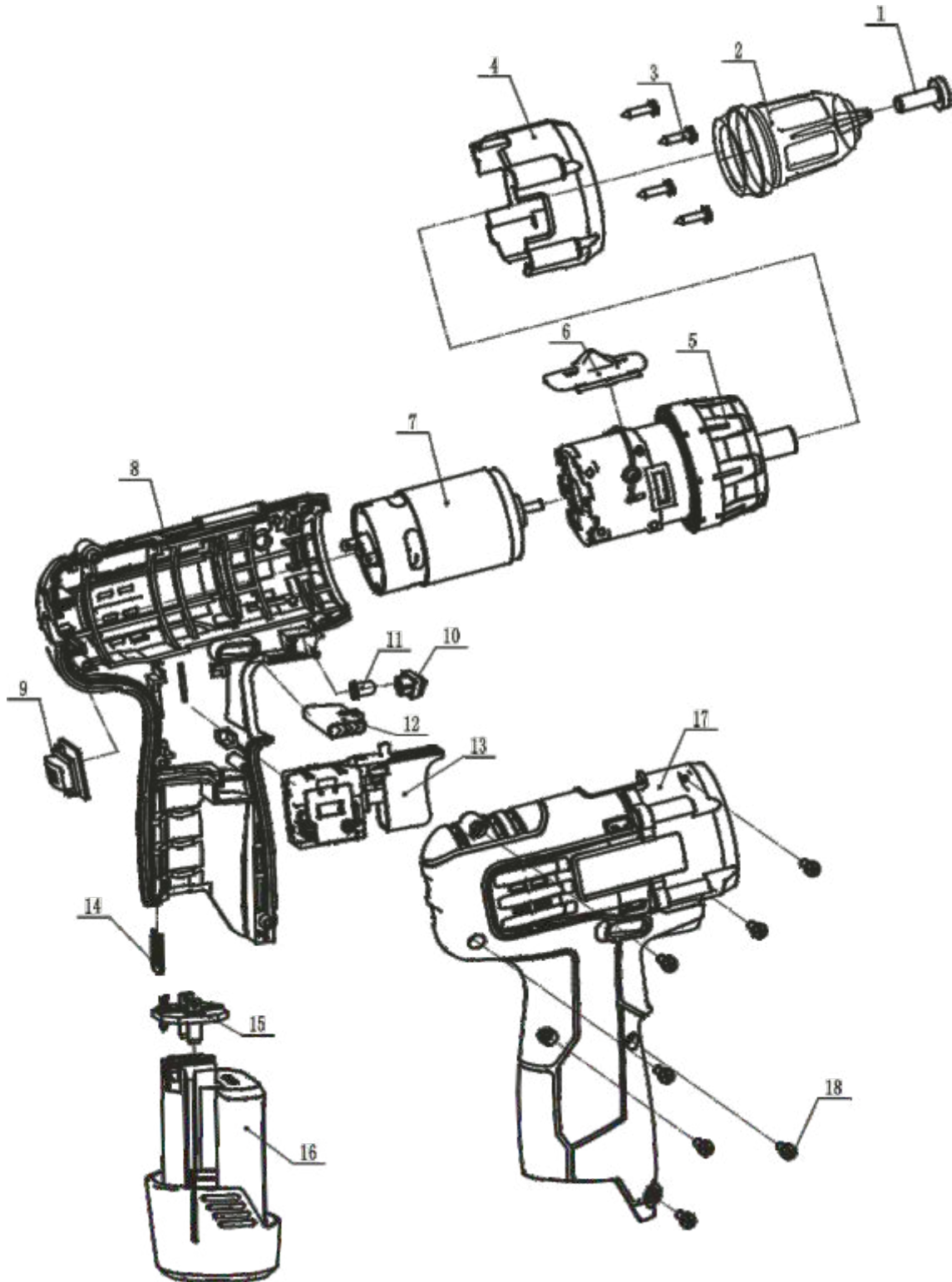
КАРТА ГАРАНТИЙНОГО РЕМОНТА __
Дата приема в ремонт __ _____ 20 __ г.
Заявка на ремонт _____
Заказчик _____
Телефон(адрес) _____
Причина обращения _____
Дата получения из ремонта __ _____ 20 __ г.
Инструмент проверен в моем присутствии _____
(Заказ заполняется в сервисном центре) (подпись)

М.П.

Наименование _____
Серийный номер _____
Дата продажи «__» _____ 20 __ г.
Дата получения из ремонта «__» _____ 20 __ г.



PSR12-C8





Поставщик / производитель: Xinjiang Longbo Industrial Co., Ltd./Синзянь Лонгбо Индастриал Ко., Лтд.
Адрес производства: Rm. 602, 6th Floor, No. 531, Weixing Road, Economic And Technological Development Zone, Urumqi, Xinjiang, China / Оф.602, 6 этаж, №531, Вейшинг Родд, Экономик Энд Технолоджикал Девелопмент Зон, Урумчи, Синзянь, Китай
Импортер/ организация, уполномоченная принимать претензии: ООО «Турбо-Тулс»
Юридический адрес: 614058, Пермский край, г. Пермь, ул. Фоминская, 36
info@pittools.ru
Сделано в КНР / Made in China

